

Features

1. Direct acting.
2. Quick response.
3. Timer for setting on/off time as optional accessory.
4. Ex-proof coil is available, please refer to page 5-9, 5-10.
5. Coil nut is available, please refer to page 5-1, 5-3.



How to order

PU220AR V - 01 1 N - S1 L E1

Brass	Diaphragm	Port size	Pressure	Thread	Voltage	Led	Ex-Proof coil
Direct acting	Blank: NBR V : VITON E : EPDM H : HNBR	01 : 1/8" 02 : 1/4" 03 : 3/8"	Blank: Standard 1: High pressure 2: Medium pressure <i>*High pressure & Medium pressure are only available for PU220AR-01 & PU220AR-02</i>	Blank: G N : NPT R : Rc	S1: 110VAC S2: 220VAC S6: 24VAC S7: 12VDC S9: 24VDC	Blank: W/O LED L : W/I LED	Blank : DIN E1: EX-proof 22mm width E2: EX-proof 30mm width E3: EX-proof CSA standard E4: EX-proof 36mm width <i>PU220AR-03 is only available for E4 ex-proof coil.</i>

How to order Repair kit

ZGPU220AR - 01 N

Repair kit	Port size	Diaphragm
	01: 1/8", 1/4" 03: 3/8"	N: NBR V: VITON E: EPDM H: HNBR

ZGPU220AR-01	
Description	Qty.
Plunger	1
O-ring	1

ZGPU220AR-03	
Description	Qty.
Plunger	1
Orifice adaptor	1
Diaphragm	1
O-ring	1

Specifications

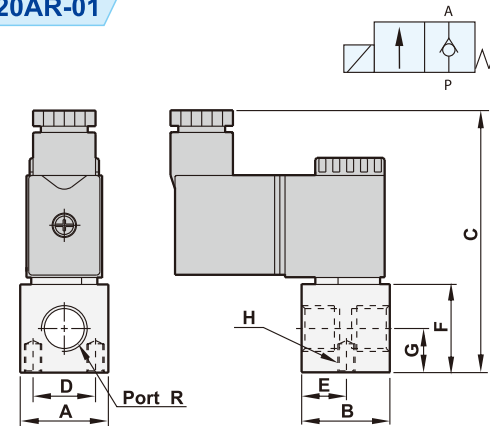
Model	PU220AR-01	PU220AR-011	PU220AR-012	PU220AR-02	PU220AR-021	PU220AR-022	PU220AR-03
Port size	1/8"			1/4"		3/8"	
Fluid	Compressed air (light oil, water)						
Orifice	1.5mm	0.8mm	1.2mm	2.3mm	1.2mm	1.5mm	8.0mm
Effective area	1.8mm ²			3.3mm ²		20.64mm ²	
Acting	Direct acting					Assisted lift	
Construction	Gasket					Diaphragm	
Operating pressure range AC	0~8.5 kgf/cm ²	0~20kgf/cm ²	0~16kgf/cm ²	0~8.5kgf/cm ²	0~20kgf/cm ²	0~16kgf/cm ²	0~8.5kgf/cm ²
Operating pressure range DC	0~7 kgf/cm ²	0~13kgf/cm ²	0~10kgf/cm ²	0~7kgf/cm ²	0~13kgf/cm ²	0~10kgf/cm ²	0~7kgf/cm ²
Proof pressure	10 kgf/cm ²						
Body material	Brass						
Fluid temperature	-10℃ ~ 90℃						
Ambient temperature	-10℃ ~ 60℃						
Installation	Any direction (Horizontal is recommended)						
Duty cycle	100% ED						
Coil type	DIN						
Protection class	IP65 (DIN 40 050)						
Insulation class	F						
Voltage tolerance	±10%						
Standard voltage	220VAC, 110VAC, 24VDC, the other voltage is optional						
Power consumption	AC: 6.0VA, DC: 4.8W					AC110V:17.6VA, AC220V:18.1VA, DC:15W (DC:18.5W option)	
Net weight	175g			255g		510g	

Seal material selection guide

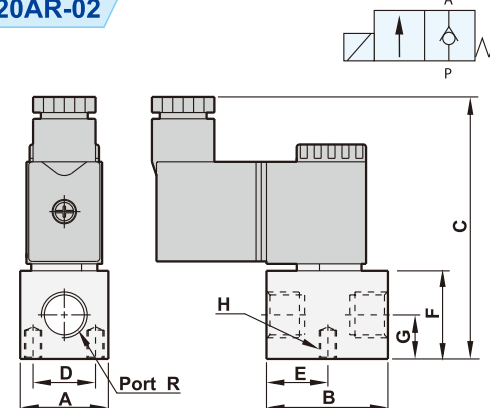
Seal	Temperature range	Suitable fluid	Unsuitable fluid
NBR	-15℃ ~ 80℃	Air, Water, Neutral gases, Mineral oil	Fuel oil, Gasoline and Hi-test gasoline, Diesel fuel
HNBR	-40℃ ~ 150℃	Air, Water, Gear oil, Engine oil	Pharmaceutical liquid, Gasoline and Hi-test gasoline, Light oil
VITON	-10℃ ~ 180℃	Fuel oil, Gasoline and Hi-test gasoline, Diesel fuel	Hot water, Steam, Brake oil (ATE Blue)
EPDM	-5℃ ~ 130℃	Hot water, Detergent liquid	Mineral oil, Gasoline

Dimensions

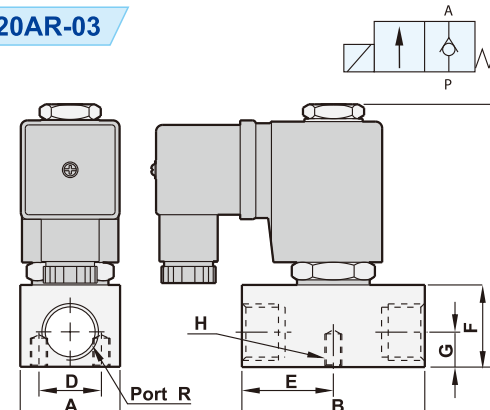
PU220AR-01



PU220AR-02

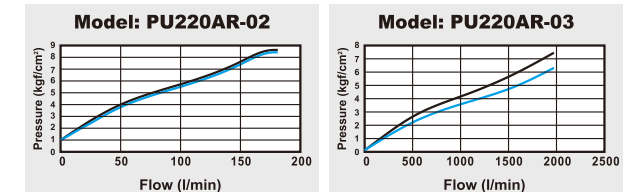


PU220AR-03



Model	PU220AR-01	PU220AR-02	PU220AR-03
R	1/8"	1/4"	3/8"
A	22	25.4	30
B	22	35	55
C	72	75	79
D	15	18	18
E	11	17.5	27.5
F	22	25.4	25
G	7.5	12.7	11
H	M4xP0.7xL6.5	M5xP0.8xL7.0	M5xP0.8xL7.0

Flow chart



Explosion

